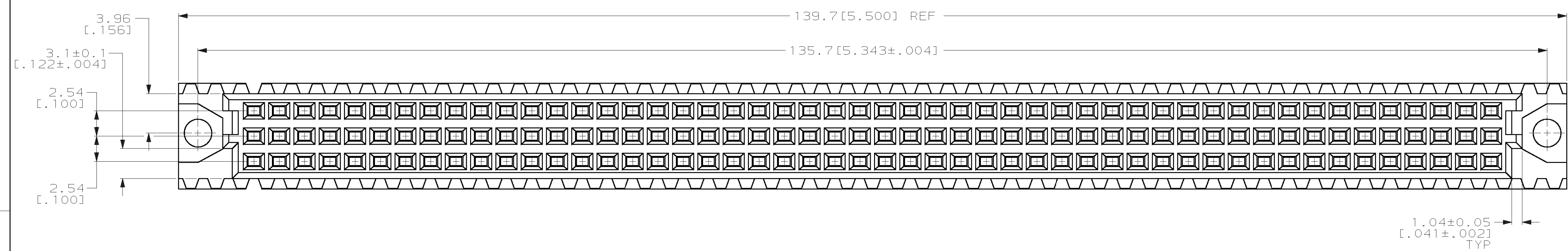
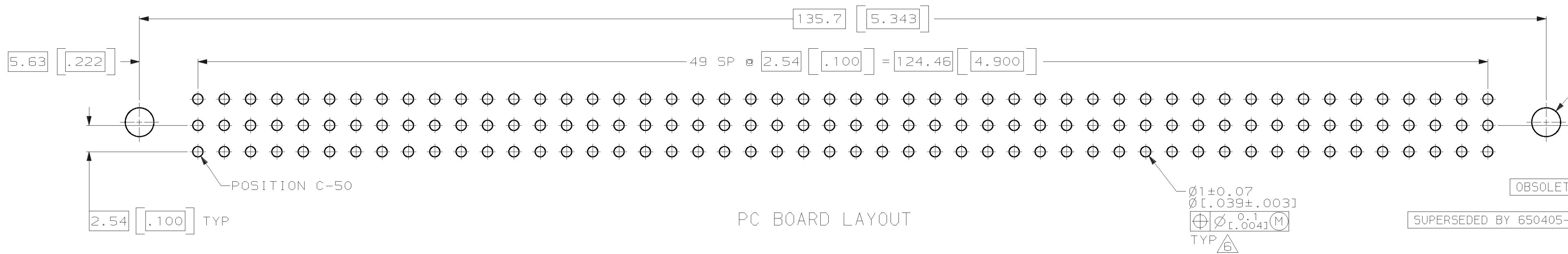
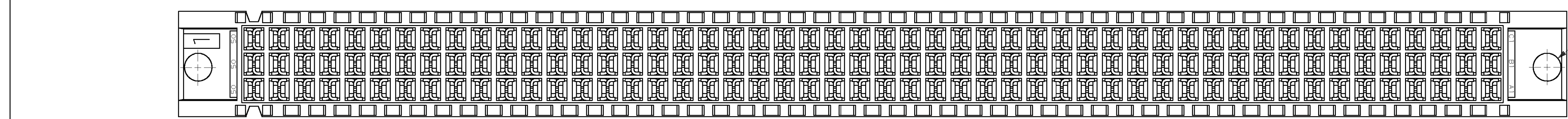
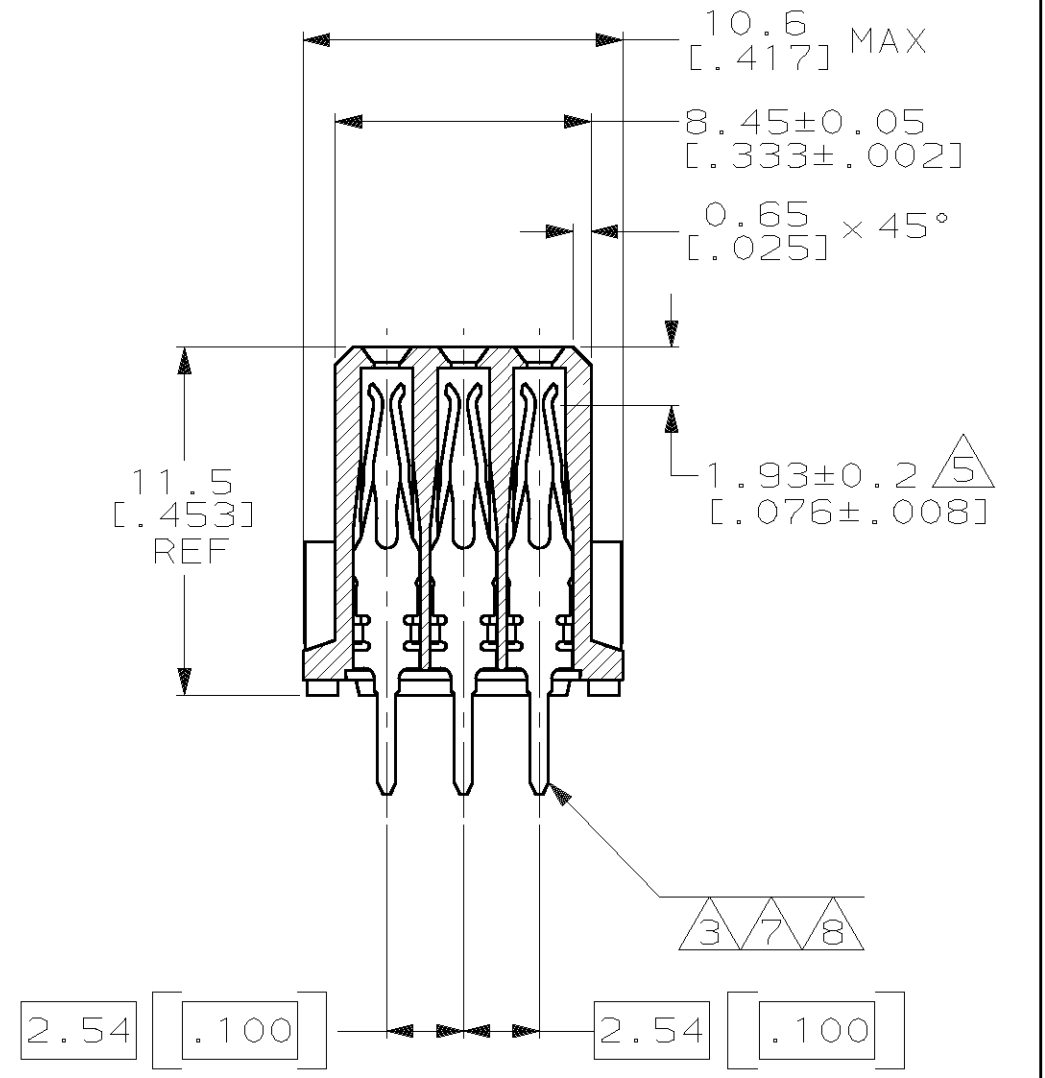
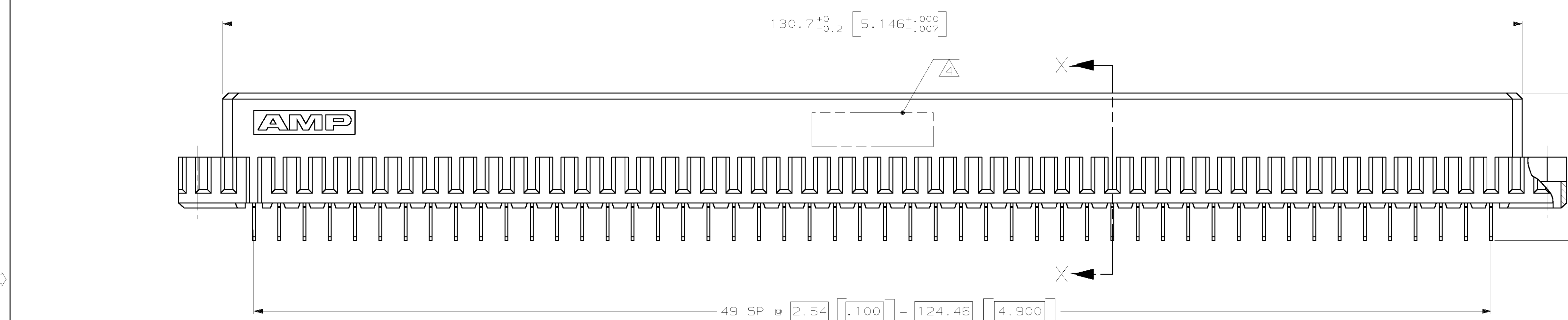


LOC	DIST	P	F	ZONE	LTR	DESCRIPTION	DATE	APPD
AD	25				E	EC 0010-1437-95	1/11/96	CR
					F	EC 0010-1488-95	4/1/96	CR
					G	REV PER EC OUTB-0367-00	04 JAN 01	CR



- ① HOUSING MATERIAL: GLASS-FILLED POLYESTER. COLOR: GRAY.
- ② CONTACT MATERIAL: PHOSPHOR BRONZE.
- ③ CONTACT FINISH: 0.00076 [0.00030] GOLD IN CONTACT AREA. 0.00127 [0.00050] NICKEL UNDERPLATE ALL OVER. TIN-LEAD ON TAILS.
- ④ PART NUMBER, DATE CODE IDENTIFICATION, CSA LOGO IN THIS APPROXIMATE AREA.
- ⑤ POINT OF MEASUREMENT FOR GOLD.
- ⑥ RECOMMENDED HOLE SIZE FOR MANUAL APPLICATION OF CONNECTOR ONTO PC BOARD.
- ⑦ CONTACT FINISH: DIN 41612 CLASS 3 IN CONTACT AREA. TIN-LEAD ON TAILS.
- ⑧ CONTACT FINISH: DIN 41612 CLASS 2 IN CONTACT AREA. TIN-LEAD ON TAILS.



NOTES	POSITIONS LOADED	ROWS LOADED			NO. OF LOADED POSITION	ASSY PART NUMBER
		C	B	A		
OBSELETE	⑦	1 THRU 50	X	X	150	650405-9
	⑧	1 THRU 50	X	X	150	650405-5
SUPERSEDED BY 650405-S	③	1 THRU 50	X	X	150	650405-4

DO NOT SCALE PRINT. UNLESS SPECIFIED DIMENSIONS IN mm [INCHES] TOLERANCES ON: 1 PLC DEC ± - 2 PLC DEC ± 0.13 [0.005] ANGLES ± -	DR L. BRINER 6/15/89	AMP INCORPORATED Harrisburg, Pa. 17105
HSG ①	CHK J. BROWN 8/1/89	
CONT ②	APPD J. BROWN 8/1/89	
FINISH ③ ④ ⑤ ⑥ ⑦ ⑧	APPD J. BROWN 8/1/89	NAME ASSEMBLY, RECEPTACLE, EUROCARD, SOLDER TAIL, 150 POSITION
	APPLICATION SPEC	SIZE D
		FSCM NO 00779
		DRAWING NO 650405
	WEIGHT -	SCALE 4:1
		SHEET 1 OF 1